

Altus 50 RTS

Wired

RS485

Dry contact

RTS

io

SOLUTIONS FOR COMMERCIAL BUILDINGS

The diameter 50 mm RTS motor for external screens and interior blinds.



Applications



roller blinds



roman blinds



projection screens



external vertical screens

- Suitable for tubes diameter 47 mm or more (internal diameter)
- Can be used for windows up to 15 m² for external vertical screens

Main characteristics

- > RTS embedded with solar and wind protection functions compatibility
- > Integrated antenna
- > High speed
- > Remote limit settings
- > Visual feedback of the product to confirm any step of setting and programming
- > Available with star head (6 possibilities to orientate the head of the motor) or round head (for reduced dimensions)

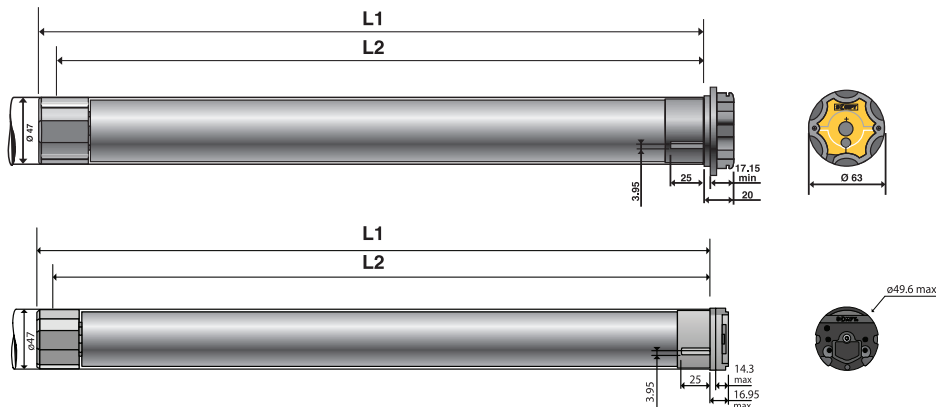
Certifications



somfy®

CHARACTERISTICS

Supply voltage	100-240 V AC / 50/60 Hz
Degree of protection	IP 44
Operating temperature	-20 to 70°C
Protection class	Class I
Limit switch unit	Electronic
Conformity	www.somfy.com/ce



Performance

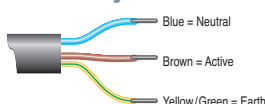
Nominal voltage	230 V / 50 Hz				120 V / 60 Hz			100 V / 50-60 Hz		220 V / 60 Hz		
	Torque	6 Nm	6 Nm	10 Nm	15 Nm	6 Nm	10 Nm	15 Nm	5 Nm	15 Nm	6 Nm	8 Nm
Speed	32 rpm	54 rpm	32 rpm	32 rpm	38 rpm	38 rpm	14 rpm	32 / 38 rpm	12 / 14 rpm	20 rpm	38 rpm	20 rpm
End-limit unit versions available	RTS RTS RH	RTS	RTS	RTS RH	RTS RTS RH	RTS RTS RH	RTS	RTS	RTS	RTS	RTS	RTS
Radio frequencies available for RTS (MHz)	433,42 MHz				433,42 MHz			426,0625 MHz		433,42 MHz 447,7 MHz		433,42 MHz

Dimensions

L1 (mm)	655	655	655	675	605	655	605	605	605	605	655	655
L2 (mm)	640	640	640	660	590	640	640	590	490	590	640	640

Type of cable

230 V / 50 Hz
220 V / 60 Hz
3 threads by wire



120 V / 60 Hz
120 V / 50-60 Hz
3 threads by wire

