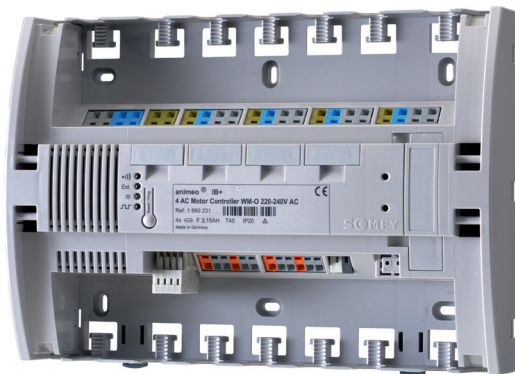


4 AC Motor Controller 220–240 V AC WM-0

| animeo Solo | **animeo IB+** | animeo KNX | animeo LON |

SOLUTIONS FOR COMMERCIAL BUILDINGS



Ref. 1860231

Motor controller for roller shutters, screens and exterior Venetian blinds.

To individually control four 230 V AC motors through Somfy RTS technology.

Autonomous solution for energy saving and user comfort.

Installation advantages

- > Simple integration of Philips Occuswitch and the Somfy-Philips interface.
- > Quick installation and connection of the Motor Controller through:
 1. Integrated strain relief. More safety without additional expenditure.
 2. Spring tension terminals and double terminals. Time savings through not having a junction box.
 3. Generous design. More space for the connection of single cables.
 4. Status feedback through LED's.

Functional advantages

- > Automatic switching between manual and automatic priority depending on presence and absence based on room level.
- > Local user overwrite through Somfy radio technology RTS.
- > Smooth dimming of artificial light through Philips Occuswitch.

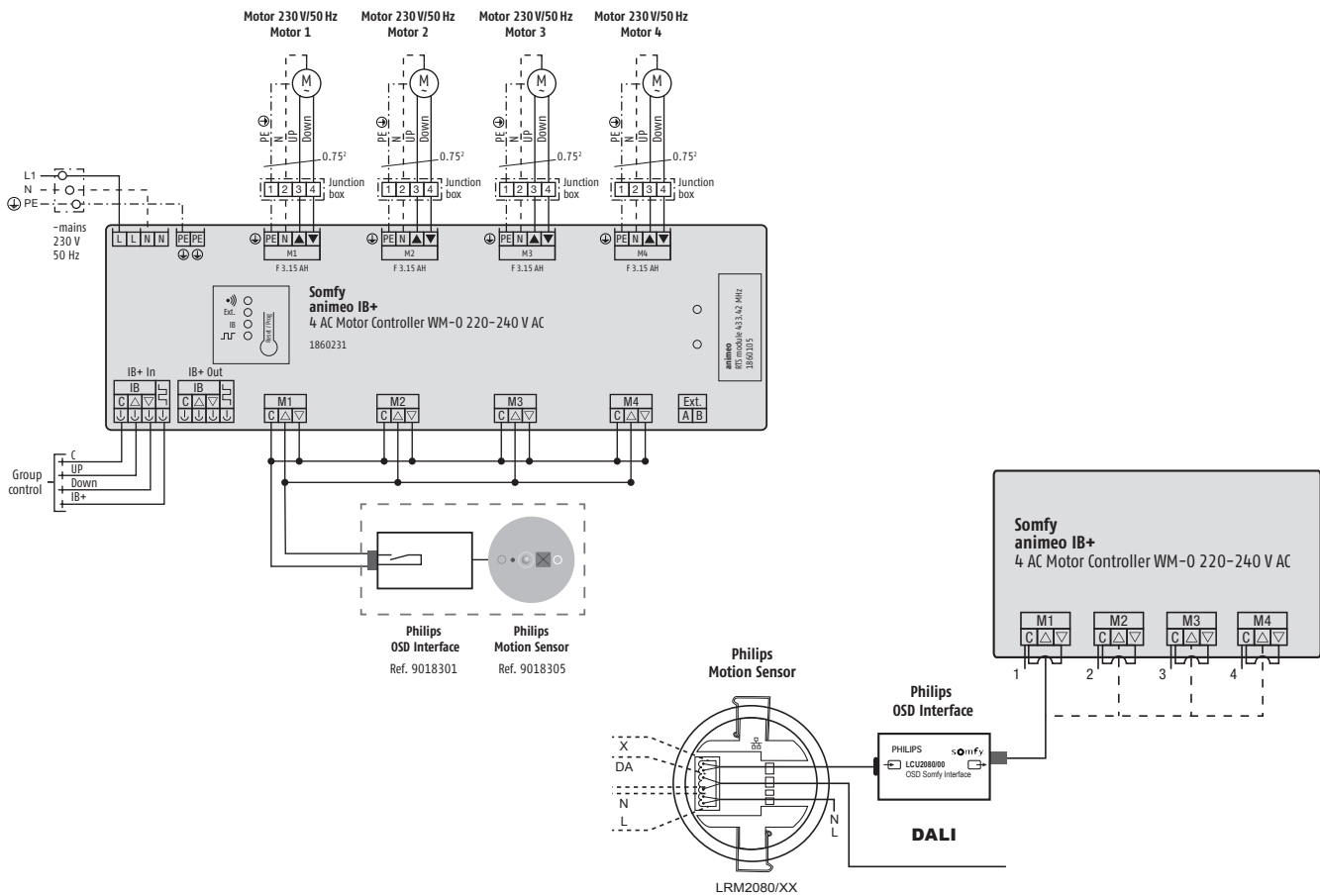
Wiring

| Connection | Cables | Twisted pairs | Max. distance |
|------------------------------|---|---------------|---------------|
| Motors | Min.: 4 x 0.75 mm ² /19 AWG Max.: 4 x 2.5 mm ² /14 AWG | — | 150 m |
| Philips OSD interface | Min.: 3 x 0.6 mm/22 AWG Max.: 3 x 2.5 mm ² /14 AWG | Recommended | 100 m |
| 220–240 V AC | Min.: 3 x 1.5 mm ² /16 AWG Max.: 3 x 2.5 mm ² /14 AWG | — | |

Classification

The Motor Controller is an electronically and manual-operated, independently-mounted control.

- Class A control function
- Type 1 action
- Pollution degree: 2
- Rated impulse voltage: 4 kV
- Temperature of the ball hardness test: 75 ° C
- Type X attachment
- Method of attachment for non-detachable cords: screwless spring terminal
- EMC emission test: $U_{AC} = 230 \text{ V AC}$ $I_{AC} = 0.5 \text{ A}$ (EN 55022 Class B emission)



CHARACTERISTICS

| | |
|---|---|
| Supply voltage | 220-240 V AC / 50/60 Hz |
| Stand-by current (IEC 62301) | < 3 mA @ 230 V AC |
| Stand-by power (IEC 62301) | < 0,5 W |
| Max. motor current consumption | 4 x 3.0 A, $\cos \varphi = 0.95$ |
| Supply voltage of group control input | SELV, 16 V DC = |
| Supply voltage of local push buttons | SELV, 16 V DC = |
| Fuse for all outputs | 4 x F 3.15 AH |
| Terminals | Spring connectors |
| Running time per output (relay contact) | Max. 5 minutes |
| Operating temperature | 0 °C to 45 °C |
| Relative humidity | 85 % |
| Material of housing | CC-ABS polycarbonate |
| Housing dimensions (w x h x d) | 180 x 255 x 63 mm |
| Degree of protection | IP 20 |
| Protection class | II (looped through PE connection - depending on the installation) |
| Conformity | www.somfy.com/ce |