

Weather Station P03 for Climax / AS 315N

Operating Instructions



Safety Notes for Installation	3
1 General	
1.1 Item Number	4
1.2 Included in Delivery	4
1.3 Technical Data	4
1.4 Application	4
1.5 Components	5
2 Installation	
2.1 Installation	6
2.1.1 Installation Recommendations	6
2.1.2 Installation of wall/mast holder	6
2.1.3 Drilling plan for holder.....	7
2.2 Electrical connection.....	7, 8
2.3 Securing the Weather Station.....	9
3 Maintenance	9
4 Notes	10

Safety Notes for Installation

- ☞ **Installation, checking, start-up and correction of faults in the Weather Station must be carried out only by a qualified technician.**
- ☞ When connecting the Weather Station, ensure that there is no voltage on the intended wiring (switch off fuses in the conservatory circuit).
- ☞ Take safety measures against unintentional switching on.
- ☞ Pay attention to correct wiring connections. A wrong connection can lead to destroying the Weather Station or the electronic devices connected to it.
- ☞ **When the Weather Station is damaged it must not be put into operation.**
- ☞ Do not open the Weather Station whenever water (rain or snow) can enter. Even small drops can damage the electronics.
- ☞ When installing, it is important that the temperature sensor (a small chip on the underside of the housing) is not damaged.
- ☞ The wiring connections between the chip and rain sensor must not be torn off or bent.

1 General

To be able to take full advantage of the fault-free functions of the product please read through these operating instructions carefully. Somfy can not be held liable for faults and damages due to wrong use or neglected operating instructions (wrong installation, wrong start-up, incorrect operation, etc.). Herewith, SOMFY declares this device to be in accordance with the essential requirements and within other relevant regulations of guideline 1999/5/EG. A statement of compliance is available on the Somfy website, www.somfy.com/CE.

For questions, enquiries and requests please call the Service Hotline +49 (0) 18 05/25 21 31 (0,14 €/min. German network tariff, mobile tariff may vary) as well as under the email address: service@somfy.de

1.1 Item Number

Ref. 9 015 079

1.2 Included in Delivery

1	X	Weather Station (1)
1	X	Wall / mast holder (2)
1	X	Operating Instructions



1.3 Technical Data

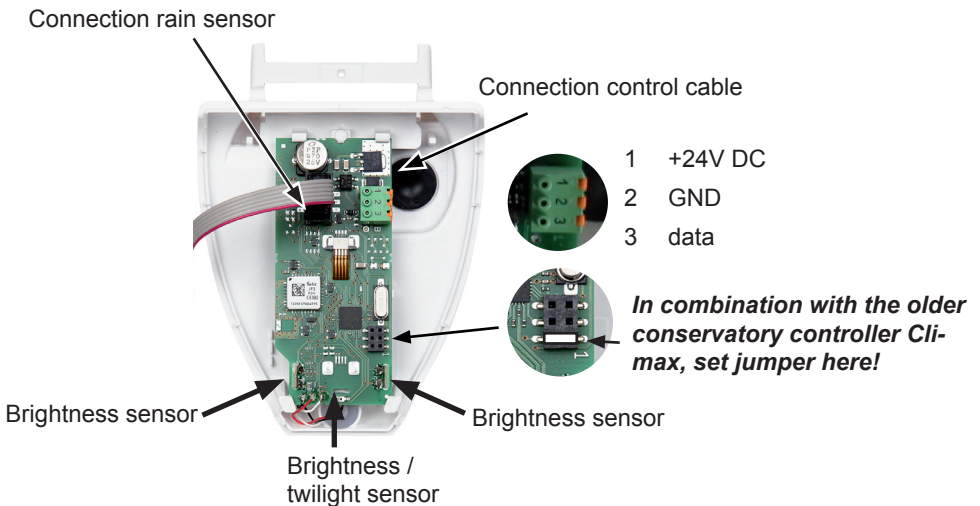
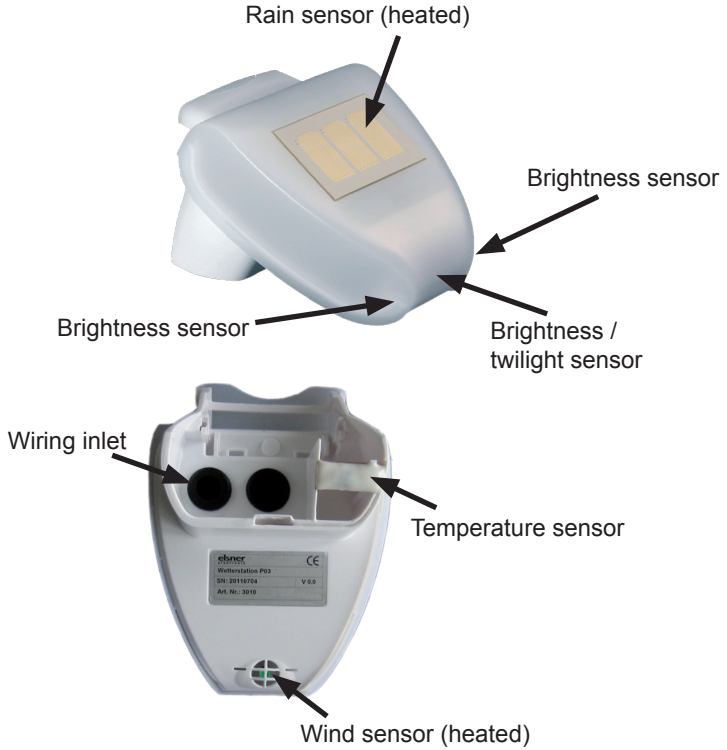
Operating Voltage:	24 V DC
Operating Temperature:	-30°C up to +50°C
Protection Type:	IP 44
Protection Class:	III
Temperature sensor:	- 30°C bis +50°C
Wind sensor:	0m/s up to 35 m/s
Brightness sensor:	0 Lux up to 99kLux
Rain sensor: (heated)	approx. 1,2W
Weight:	approx. 148 g

1.4 Application

The Weather Station measures temperature, wind speed as well as brightness. It recognises rain and receives a radio signal, which contains date and time of Central Europe Time (UTC +1h). The Weather Station is included in delivery with the conservatory controls Climax, as well as AS 315N and intended for use in combination with these.

1 General

1.5 Component



2 Installation

Attention: *Setting up, checking, start-up and correcting faults in the system must be carried out only by a qualified technician (VDE 0100 - 0200)! Connect the intended wiring for installation without voltage. Ensure safety measures against unintentional switching on.*



2.1 Installation

2.1.1 Installation Recommendations

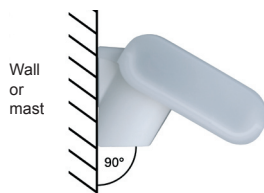


Note: *The supply cable must not exceed 30m in length.*

Select the position for installation on the building or in the conservatory where wind and rain can be determined by the sensors without hindrance. No construction parts may be placed above the Weather Station from which water drops can fall onto the rain sensor after it has stopped raining or snowing. The Weather Station may not be positioned in the shade of the building or in tree shade. 60 cm free space must be allowed under the Weather Station in order to attain a correct wind measurement and to hinder snowing-over in snowy conditions.

Metal constructions or large surface metal sheets directly behind or near the Weather Station reduce the receiving quality of the built-in radio receiver. Please take this into consideration when selecting the position for installation. Likewise, magnetic fields, transmitters and interference from electrical devices (e.g. strip lamps, lighted signs, switching circuits etc.) can negatively influence the reception of the radio signal.

Secure the Weather Station on a vertical wall or mast.



• Install the Weather Station in the horizontal position.

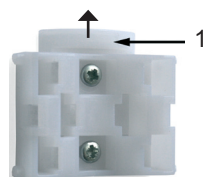


2.1.2 Installation of the wall or mast holder

• secure the holder vertically on the wall or mast.

With wall installation:

• Install the holder with the flat side facing the wall. The **shoulder** (1) must be facing upwards.

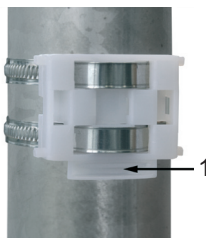


2 Installation

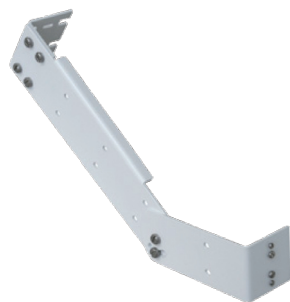
2.1.2 Installation of the wall / mast holder

With mast installation:

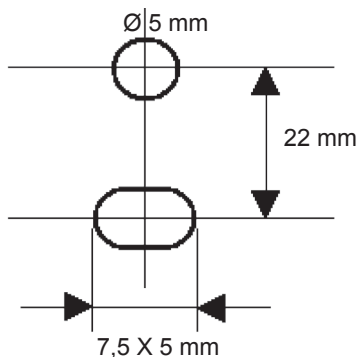
- Install the holder with the rounded side to the mast. The **shoulder** (1) must be facing downwards.
- Secure the holder with two suitable screw-thread clamps (not included in delivery).



Note: *When installing the Weather Station on a wall, pipe or on a beam, the optional arm bracket, Ref. 9014588, can be used.*



2.1.3 Drilling diagram of the holder



2.2 Electrical connection

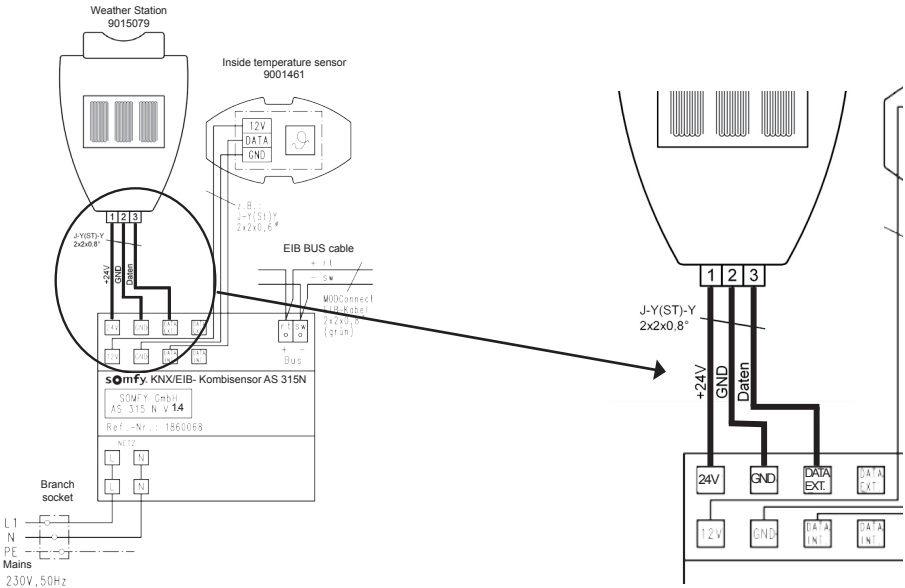
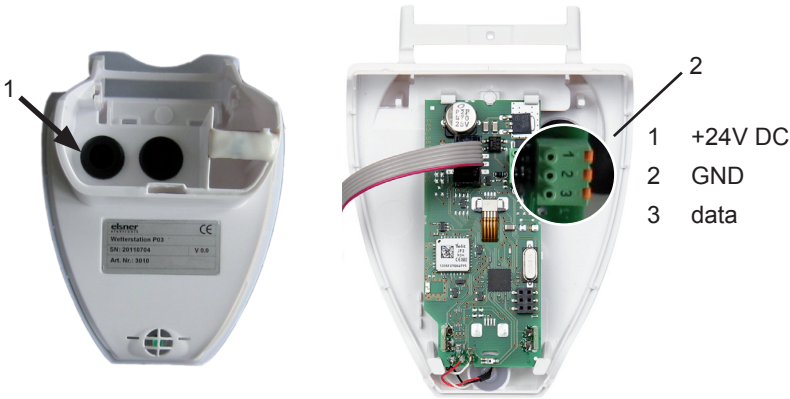
Note: *The top housing part of the Weather Station with the rain sensor is clicked-in left and right on the under edge of the base.*



2 Installation

2.2 Electrical Connection

- Take off the top part of the Weather Station housing.
 - ⇒ Be careful not to tear off the wiring connections between the chip in the under part of the rain sensor (wire with plug).
- Feed the cable (voltage supply, bus connection) through the rubber seal (1) on the bottom of the Weather Station and connect voltage and bus to the intended clips (2).
 - ⇒ The supply line to the Weather Station must not exceed 30m in length. The connection is made with standard telephone cable, (J-Y(ST)Y 2 x 2 x 0,8).



2 Installation

2.3 Mounting the Weather Station

- Close the housing by bringing the top part of the housing over the base.
⇒ The top part must click in with a clear “click” sound.



- Move the Weather Station from above in the mounted holder.
⇒ The edged peg sides of the holder must click in to the grooves of the housing

The Weather Station can be taken off the holder by pushing it upwards carefully against the resistance of the grooves.



3 Servicing the Weather Station

The Weather Station should be checked regularly twice a year for dirt and cleaned when necessary. When the wind sensor is subject to a lot of dirt it may malfunction by recognising a continuous rain message or that there is no more sunshine.

Attention: *When servicing the Weather Station and damage is identified, it must be taken out of operation.*



Germany

Somfy GmbH
Felix-Wankel-Straße 50
D-72108 Rottenburg / N
Service Hotline +49 (0)180/5 25 21 31
(0,14 €/min. German network tariff, mobile tariff may vary)
e-mail: service@somfy.de

Austria

SOMFY GmbH
Johann-Herbst-Str. 23
A-5061 Elsbethen-Glasenbach
Tel.: +43 (0)662 625308 0
Fax.: +43 (0)662 625308 22
e-mail: office@somfy.at

Switzerland

Somfy AG
Vorbuchenstrasse 17
CH-8303 Bassersdorf
Telefon +41 44 838 40 30
Fax +41 44 836 41 95
e-mail: support@somfy.ch