

# 4 AC Motor Controller WM/DRM 220–240 V AC

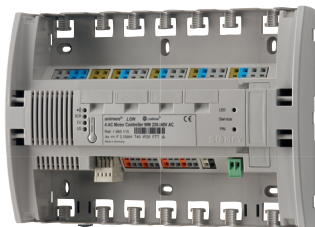
animeo Solo

animeo IB+

animeo KNX

animeo LON

SOLUTIONS FOR COMMERCIAL BUILDINGS



Ref. 1860115



Ref. 1860119

Motor Controller for motorized roller shutters, screens, external Venetian blinds and windows.

To individually control four 230 V AC motors.

Available in two versions: wall-mounted (WM) and for Din-rail installation.

## Installation advantages

- > Spring connectors and tension relief with cable ties for safer and quicker installation.
- > The device can be used "out of the box" without necessary programming with a LON software.
- > The animeo LON Motor Controllers are Free Topology Transceiver (FTT) devices.

## Functional advantages

- > All windows can be managed independently from each other.
- > Intelligent switching between manual and automatic operation to guarantee excellent user-friendliness and energy savings.
- > Cost savings through the use of 8 freely defineable binary inputs.

## Wiring

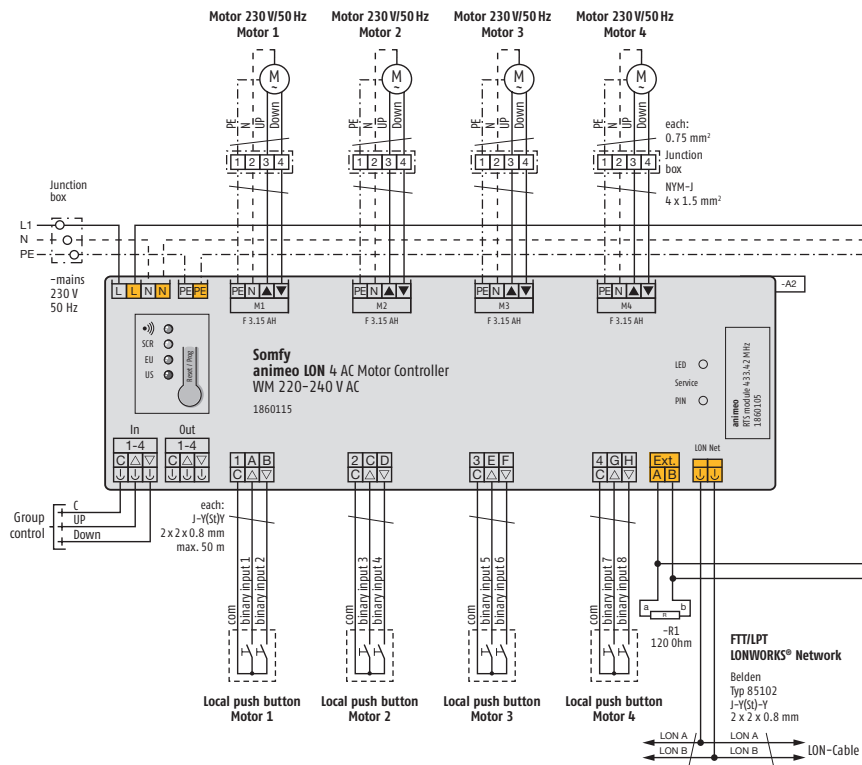
Connection	Cables	Twisted pairs	Max. distance
<b>Motors</b>	Min.: 4 x 0.75 mm <sup>2</sup> /19 AWG Max.: 4 x 2.5 mm <sup>2</sup> /14 AWG	-	150 m
<b>Switches</b>	Min.: 3 x 0.6 mm <sup>2</sup> /22 AWG Max.: 3 x 2.5 mm <sup>2</sup> /14 AWG	Recommended	100 m
<b>Group control</b>	Min.: 3 x 0.6 mm <sup>2</sup> /22 AWG Max.: 3 x 1.5 mm <sup>2</sup> /16 AWG	Recommended	50 m
<b>LON bus</b>	2 x 0.8 mm/20 AWG	Required, following LON topology guidelines	
<b>Ext. (LON Somfy Subnet)</b>	Min.: 2 x 0.25 mm <sup>2</sup> /24 AWG Max.: 2 x 0.75 mm <sup>2</sup> /18 AWG	Required	200 m
<b>220 – 240 V AC</b>	Min.: 3 x 1.5 mm <sup>2</sup> /16 AWG Max.: 3 x 2.5 mm <sup>2</sup> /14 AWG		

## Classification

**The Motor Controller is an electronically and manually-operated, independently-mounted control.**

- Class A control function
- Type 1 action
- Pollution degree: 2
- Rated impulse voltage: 4 kV
- Temperature of the ball hardness test: 75 °C
- Type X attachment
- Method of attachment for non-detachable cords: screwless spring terminal
- EMC emission test:  $U_{AC} = 230V DC$   $I_{AC} = 0.5 A$   
(EN 55022 Class B emission)

somfy®



### CHARACTERISTICS

	WM Ref. 1860115	DRM Ref. 1860119
Supply voltage	220-240 V AC / 50/60 Hz	220-240 V AC / 50/60 Hz
Stand-by current (IEC 62301)	48 mA@230 V AC	48 mA@230 V AC
Stand-by power (IEC 62301)	< 6 W@230 V AC	< 6 W@230 V AC
LON transceiver	FTT	FTT
Max. motor current consumption	4 x 3.0 A, $\cos \varphi = 0.95$	4 x 3.0 A, $\cos \varphi = 0.95$
Supply voltage of group control input	SELV, 16 V DC =	SELV, 16 V DC =
Supply voltage of local push buttons	SELV, 16 V DC =	SELV, 16 V DC =
Fuse per output	4 x F 3.15 AH	4 x F 3.15 AH
Terminals	Spring connectors	Spring connectors
Terminal LON	LON bus terminal (green)	LON bus terminal (green)
Running time per output	Max. 327 seconds	Max. 327 seconds
Operating temperature	0 °C to 45 °C	0 °C to 45 °C
Relative humidity	85%	85%
Material of housing	CC-ABS polycarbonate	CC-ABS polycarbonate
Housing dimensions (w x h x d)	180 x 255 x 63 mm	90 x 210 x 63 mm (12 HP)
Degree of protection	IP 20	IP 20
Protection class	II (looped through PE connection)	II (looped through PE connection)
Conformity	<a href="http://www.somfy.com/ce">www.somfy.com/ce</a>	<a href="http://www.somfy.com/ce">www.somfy.com/ce</a>