

animeo LON

4 DC 2 A Motor Controller 24 V DC

Motor Controller for interior blinds, interior Venetian blinds and windows to individually control four 24 V DC motors.

Four integrated LONMark #6111 "sunblind controller" - objects with a variety of functions such as sun, sun tracking, wind, wind direction, rain, frost and temperature for maximum flexibility. Each output acts as an independent controller. The priorities for these functions are freely configurable.

Available in wall-mounted (WM) version.

Installation Advantages

- > Spring connectors and tension relief with cable ties for safer and quicker installation.
- > The device can be used "out of the box" without necessary programming with a LON software.
- > The animeo LON Motor Controllers are Free Topology Transceiver (FTT) devices.

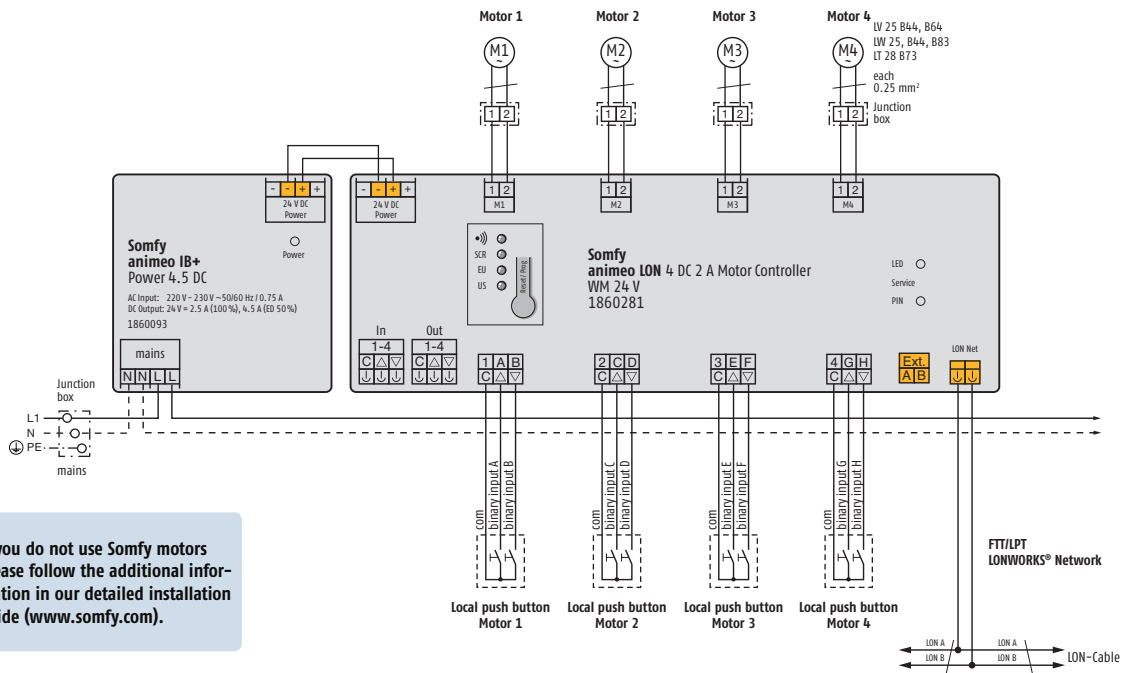
Functional Advantages

- > Intelligent switching between manual and automatic operation to guarantee excellent user-friendliness and energy savings.
- > Advanced pre-programmed functions such as sun tracking.
- > Cost savings: up to 8 local push button binary inputs can be used additionally as universal LON inputs so that e.g. window contacts, temperature sensors or presence detectors can be connected.
- > Using an input signal, a LON output signal can be generated: types are setting, switch, scene or occupancy.



Ref. 1860281





Characteristics

LON 4 DC 2A Motor Controller	WM Ref. 1860281
Supply voltage	24 V DC (min. 21.5 V DC – max. 28 V DC) SELV
Stand-by current (IEC 62301)	42 mA @ 24 V DC
Stand-by power (IEC 62301)	1 W @ 24 V DC
LON transceiver	FTT
Max. motor current consumption	4 x 2.3 A @ 24 V DC
Supply voltage of group control input	SELV, 15 V DC =
Supply voltage of local push buttons	SELV, 15 V DC =
Input/output	Short circuit protected
Terminals	Spring connectors
Terminal LON	LON bus terminal (green)
Running time per output	Max. 5 minutes
Operating temperature	0 °C to 45 °C
Relative humidity	Max. 85 %
Material of housing	PC/ABS
Housing dimensions (w x h x d)	180 x 255 x 63 mm
Weight	670 g
Degree of protection	IP 20
Protection class	III
Conformity	www.somfy.com/ce

Wiring

Connection	Cables	Twisted pairs	Max. distance
Motors	Min.: 2 x 0.6 mm ² /22 AWG Max.: 2 x 2.5 mm ² /14 AWG	-	20 m/66 ft
Switches	Min.: 3 x 0.6 mm ² /22 AWG Max.: 3 x 2.5 mm ² /14 AWG	Recommended	100 m/ 330 ft
Group control	Min.: 3 x 0.6 mm ² /22 AWG Max.: 3 x 1.5 mm ² /16 AWG	Recommended	50 m/ 165 ft
LON bus	2 x 0.8 mm ² /20 AWG	Required, following LON topology guidelines	
24 V DC	Min.: 2 x 1.5 mm ² /16 AWG Max.: 2 x 2.5 mm ² /14 AWG		10 m/33 ft

Classification

The Motor Controller is an electronic operating control, electrically operated and independently-mounted.

- Class A control function
- Type 1 action
- Pollution degree: 2
- Type X attachment
- Method of connection for screwless terminals: screwless spring terminal
- EMC emission test: (EN 55022 Class B emission)

$U_{DC} = 24 \text{ V DC}$

$I_{DC} = 4.5 \text{ A}$