

animeo LON

4 DC/E Motor Controller WM/DRM 220-230 V AC

Motor controller for interior blinds and interior Venetian blinds to individually control four 24 V DC motors or 24 V DC/E encoder motors.

Four integrated LONMark #6111 “sunblind controller” - objects with a variety of functions such as sun, sun tracking, wind, wind direction, rain, frost and temperature for maximum flexibility. Each output acts as an independent controller. The priorities for these functions are freely configurable.

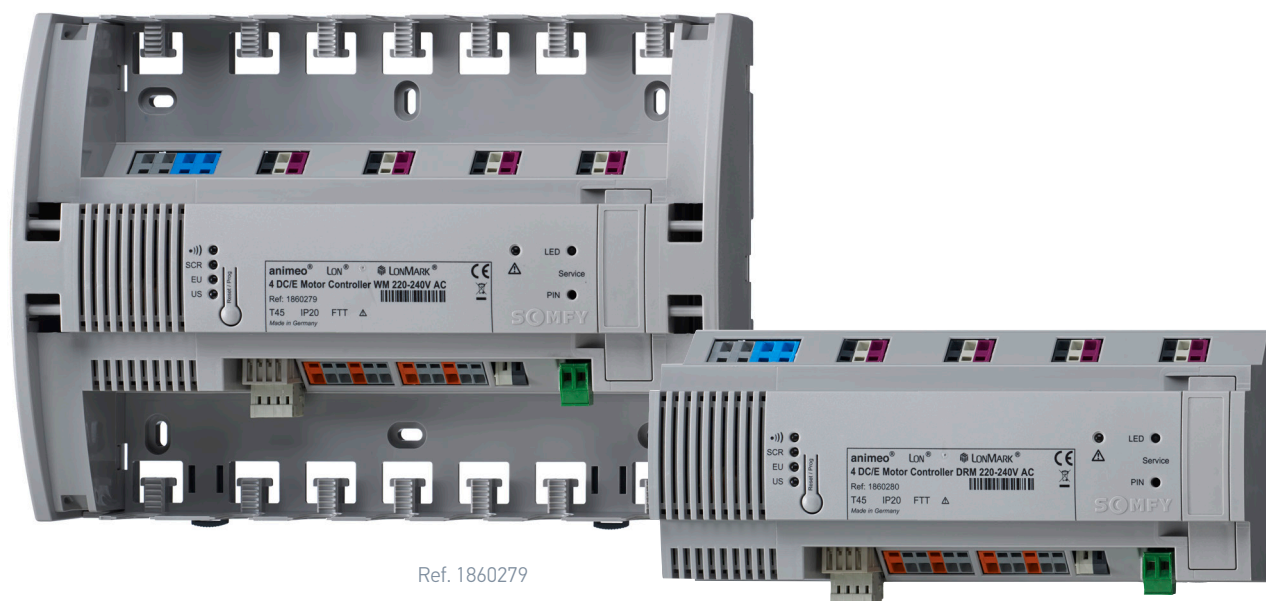
Available in two versions: for wall-mounted (WM) and for Din-rail (DRM) installation.

Installation Advantages

- > Spring connectors and tension relief with cable ties for safer and quicker installation.
- > The device can be used “out of the box” without necessary programming with a LON software.
- > The animeo LON Motor Controllers are Free Topology Transceiver (FTT) devices.

Functional Advantages

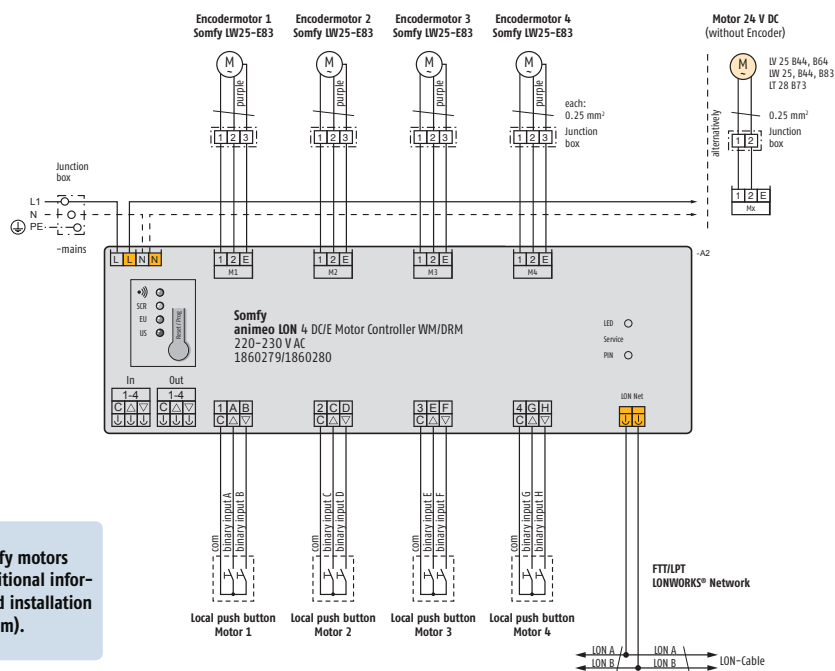
- > Intelligent switching between manual and automatic operation to guarantee excellent user-friendliness and energy savings.
- > Advanced pre-programmed functions such as sun tracking.
- > Cost savings: up to 8 local push button binary inputs can be used additionally as universal LON inputs so that e.g. window contacts, temperature sensors or presence detectors can be connected.
- > Using an input signal, a LON output signal can be generated: types are setting, switch, scene or occupancy.



Ref. 1860279

Ref. 1860280





⚠ If you do not use Somfy motors please follow the additional information in our detailed installation guide (www.somfy.com).

Characteristics

LON 4 DC/E Motor Controller	WM ref. 1860279	DRM ref. 1860280
Supply voltage	220-230 V AC / 50/60 HZ	220-230 V AC / 50/60 HZ
Stand-by current (IEC 62301)	< 0.06 A @ 230 V AC	< 0.06 A @ 230 V AC
Stand-by power (IEC 62301)	< 6.0 W @ 230 V AC	< 6.0 W @ 230 V AC
LON transceiver	FTT	FTT
Max. motor current consumption	4 x 0.6 A @ 24 V DC	4 x 0.6 A @ 24 V DC
Supply voltage of group control input	SELV, 16 V DC ≍	SELV, 16 V DC ≍
Supply voltage of local push buttons	SELV, 16 V DC ≍	SELV, 16 V DC ≍
Output	Short circuit protected	Short circuit protected
Terminals	Spring connectors	Spring connectors
Terminal LON	LON bus terminal (green)	LON bus terminal (green)
Running time per output	Max. 3 minutes or 5000 m	Max. 3 minutes or 5000 m
Operating temperature	0 °C to 45 °C	0 °C to 45 °C
Relative humidity	Max. 85 %	Max. 85 %
Material of housing	PC/ABS	PC/ABS
Housing dimensions (w x h x d)	180 x 255 x 63 mm	90 x 210 x 63 mm (12 HP)
Weight	790 g	450 g
Degree of protection	IP 20	IP 20
Protection class	II	II
Conformity	www.somfy.com/ce	www.somfy.com/ce

Wiring

Connection	Cables	Twisted pairs	Max. distance
Motors	Min.: 3 x 0.6 mm ² /22 AWG Max.: 3 x 2.5 mm ² /14 AWG	-	20 m/66 ft
Switches	Min.: 3 x 0.6 mm ² /22 AWG Max.: 3 x 2.5 mm ² /14 AWG	Recommended	100 m/ 330 ft
Group control	Min.: 3 x 0.6 mm ² /22 AWG Max.: 3 x 1.5 mm ² /16 AWG	Recommended	50 m/ 165 ft
LON bus	2 x 0.8 mm ² /20 AWG	Required, following LON topology guidelines	
220-230 V AC	Min.: 2 x 1.5 mm ² /16 AWG Max.: 2 x 2.5 mm ² /14 AWG		

Classification

The Motor Controller is an electronic operating control, electrically operated and independently-mounted.

- Class A control function
- Type 1 action
- Pollution degree: 2
- Rated impulse voltage: 4 kV
- Temperature of the ball hardness test: 87 °C
- Type X attachment
- Method of connection for screwless terminals: screwless spring terminal
- EMC emission test: $U_{AC} = 230 \text{ V AC}$ $I_{AC} = 0.06 \text{ A}$ (EN 55022 Class B emission)