

RS485 6 x RJ45 Bridging Adaptor

animeo Solo

animeo IB+

animeo IP

animeo KNX

animeo LON

SOLUTIONS FOR COMMERCIAL BUILDINGS



Ref. 9019004

A component designed to ease the connection RS485 Somfy Digital Network devices on RS485 network segment.

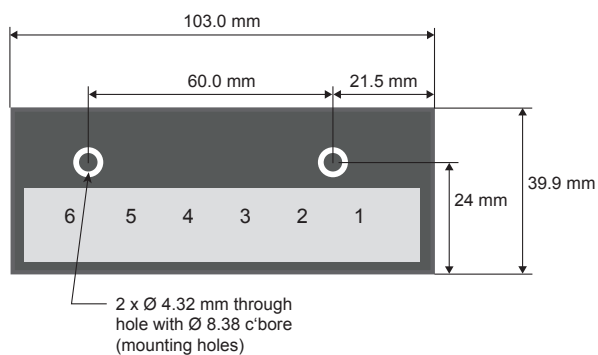
Installation advantages

- > 6 x RJ45 bridging adaptor for the wiring of the RS485 Somfy Digital Network devices.
- > Two holes for mounting to a wall or panel.

CHARACTERISTICS

Pollutant	Complies with RoHS
Materials	Housing: ABS, grey color Contacts: gold plated, phosphor bronze
Dimension	103 x 39,9 x 26,5 mm
Weight	70 g

Mounting holes



Wiring diagram

