

# Rain Sensor Ondeis

animeo Solo

animeo IB+

animeo IP

animeo KNX

animeo LON

SOLUTIONS FOR BUILDING CONTROL



Ref. 9016344/9016345

Capacitive sensor for the measurement of precipitation.

24 V DC (ref. 9016344) and 230 V AC version (ref. 9016345) available.

Inconspicuous, compact product at front.

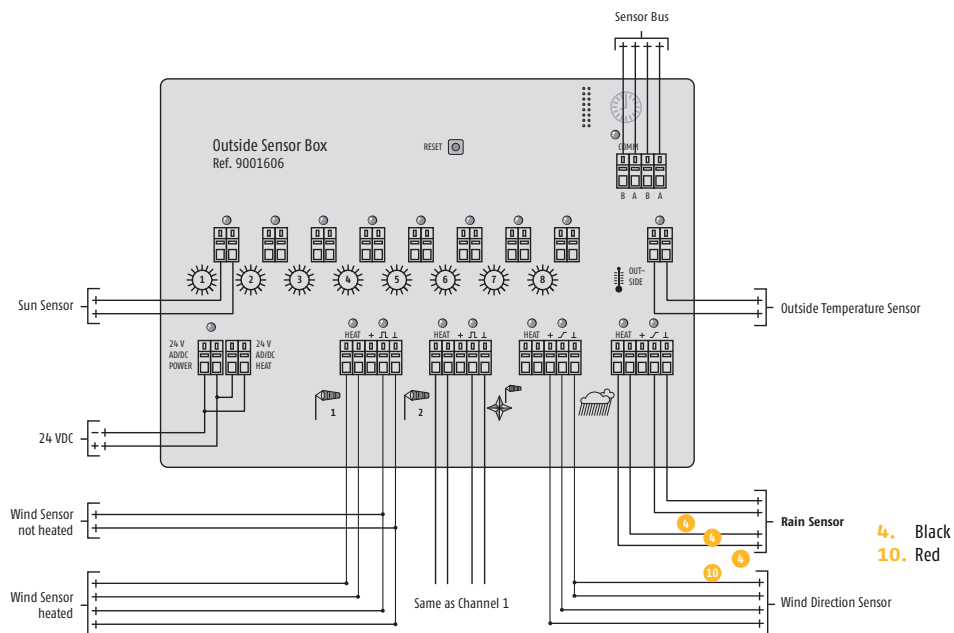
UV-opaque housing and UV stabilized.

## Installation advantages

- > Fast, simple and flexible assembly. Wall assembly or installation on standard mast with 50 mm diameter.
- > 24 V DC power supply provided directly through the Outside Sensor Box (ref. 9001606).
- > Delivered with a 2.30 m cable (2 x 0.75 mm<sup>2</sup>).

## Functional advantages

- > Capacitive measurement of rain and snow.
- > Protection of the conductive strips from oxidation by a foil.
- > Capacitive sensor which measures the change of electricity field.
- > Measurement procedure ensures a fast reaction with simultaneous avoidance of hypersensitivity.
- > An integrated, self-regulating heating dries the sensor surface automatically.



### Characteristics

	<b>24 V DC</b> <b>Ref. 9016344</b>	<b>230 V AC</b> <b>Ref. 9016345</b>
Supply voltage	24 V DC SELV	230 V AC
Stand-by current	< 5 mA @ 24 V DC	< 1 mA @ 230 V AC
Stand-by power	< 110 mW @ 24 V DC	< 50 mW @ 230 V AC
Max. power peak (heating)	< 4 W @ 24 V DC	< 4 W @ 230 V AC
Dry contact	Min. 1 mA @ 30 V DC or 230 V AC Max. 2 A @ 30 V DC or 230 V AC	Min. 1 mA @ 30 V DC or 230 V AC Max. 2 A @ 30 V DC or 230 V AC
Operating temperature	- 20° C to 60° C	- 20° C to 60° C
Relative humidity	85 %	85 %
Wiring recommendations	3 x 1.5 mm	3 x 1.5 mm
Material of housing	PC/ABS	PC/ABS
Dimensions (w x h x d)	115 x 100 x 85 mm	115 x 100 x 85 mm
Degree of protection	IP 44	IP 44
Protection class	II	II
Weight	400 g	400 g
Conformity	<a href="http://www.somfy.com/ce">www.somfy.com/ce</a>	<a href="http://www.somfy.com/ce">www.somfy.com/ce</a>