

# Wind Sensor

animeo Solo

animeo IB+

animeo IP

animeo KNX

animeo LON

SOLUTIONS FOR BUILDING CONTROL



Ref. 9001608

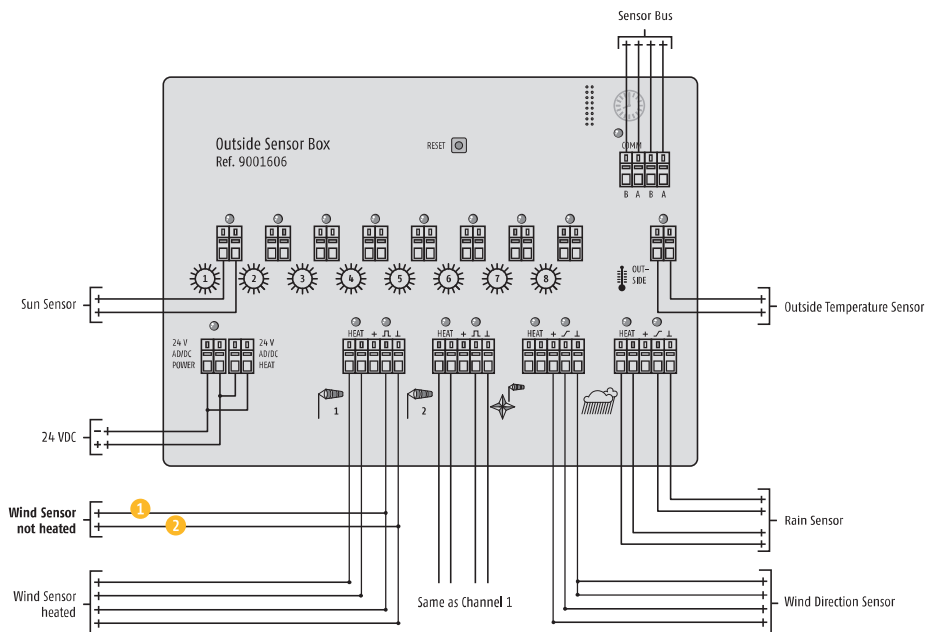
Enables the measuring of wind speed in connection with the Outside Sensor Box (ref. 9001606).

## Installation advantages

- > Very easy assembling on standard mast with 50 mm diameter.
- > Spring clamb connectors for save and solid wiring to the Outside Sensor Box.

## Functional advantages

- > Provides reliable and precise wind speed measurement.
- > High resilience and durability by precision bearing.



## CHARACTERISTICS

<b>Dimensions</b>	Height 200 mm, Ø 240 mm; max. Ø-mast: 48 mm
<b>Degree of protection</b>	IP 65
<b>Wiring recommendations</b>	2 × 0.8 mm <sup>2</sup>
<b>Max length</b>	100 m
<b>Operating temperature</b>	- 25 °C to + 75 °C
<b>Weight</b>	612 g
<b>Conformity</b>	<a href="http://www.somfy.com/ce">www.somfy.com/ce</a>